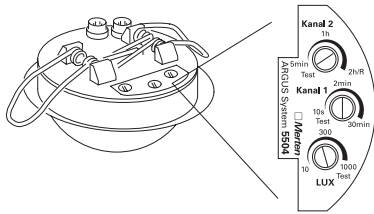


Operating elements



The operating elements for both overshoot times and the brightness threshold are at the back of each sensor head.

The overshoot time for channel 1 is 1 s in the test position and the brightness-dependence is switched off. The overshoot time for channel 2 is 3 s in test position.

ARGUS 180, flush-mounted

ARGUS 180 sensor module, flush-mounted

System M (art. no. 5784..); System Design (art. no. 5786..); System Basis (art. no. 5782..); OCTOCOLOR (art. no. 5753..)

ARGUS 180 sensor module, flush-mounted, with switch

System M (art. no. 5785..); System Design (art. no. 5795..); System Basis (art. no. 5783..); OCTOCOLOR (art. no. 5756..)

ARGUS 180/2.20 m sensor module, flush-mounted

System M (art. no. 5687.., 5688..)

AQUADESIGN ARGUS 180 sensor module, flush-mounted (art. no. 5781..)



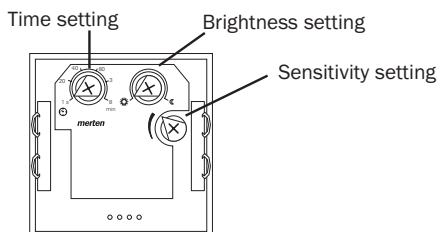
Movement and presence detectors in combination with alarm systems: see Chapter "Movement detectors - Functional principle"

Function

The ARGUS sensor module, flush-mounted, is a movement detector for flush mounting in internal areas. It detects moving sources of heat, e.g. people, within a radius of 180°. The ARGUS is plugged onto an electronic switch insert (art. no. 576799, for ohmic loads) or onto a relay switch insert (art. no. 576897 for ohmic, inductive or capacitive loads) and easily replaces a light switch.

If ARGUS detects a movement, it switches on the post-connected load, e.g. an incandescent lamp. After the set time, the ARGUS switches it back off again. The time can be adjusted in levels between 1 second and 8 minutes. If, during this period, another movement is detected, the load remains on for the full set time again.

The ARGUS has an integrated light sensor. This means that automatic switching is dependent on the ambient brightness (infinitely adjustable from 5 to 1000 Lux). The version with a switch also enables switching to maintained lighting or to manual operation.



Electronic switch insert and relay switch insert

Up to two ARGUS with electronic switch insert and maximum four ARGUS with relay switch insert can be connected in parallel on the output side.

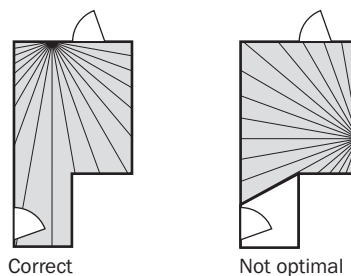
For power extension of the ARGUS with electronic switch insert, the power boosters (art. no. 574099) can be used.

The ARGUS with electronic switch insert is a 2 conductor system, it can therefore be installed in existing switch boxes without neutral conductor. With this device, only ohmic loads can be switched.

The ARGUS with relay switch insert has a relay output and requires a neutral conductor. With this device, ohmic loads, inductive and capacitive loads can be switched.

Installation site

Only mount the ARGUS sensor module, flush-mounted, in positions which allow the best possible surveillance of the required area.



- Open fires, e.g. chimney fires, can be detected by the ARGUS.
- Switched lamps should not be installed in the detection area of the ARGUS because the heat emitted by the lamp can influence the movement detector.
- Avoid direct sunlight. This can destroy the sensor in extreme cases.
- The ARGUS should be installed on firm ground because any movement can switch the ARGUS on.

For ARGUS 180 / 2.20 m sensor module, flush-mounted:

- Install on a wall at a height of approx. 2.2 m above the floor.

For ARGUS 180 sensor module, flush-mounted:

- Install on a wall at a height of approx. 1-1.5 m above the floor.
- If mounted on the wall at a height of approx. 1-1.5 m, in most cases pets like cats and dogs will not be detected (depending on room conditions).

ARGUS FLUSH-MOUNTED MOVEMENT DETECTORS

Area of detection

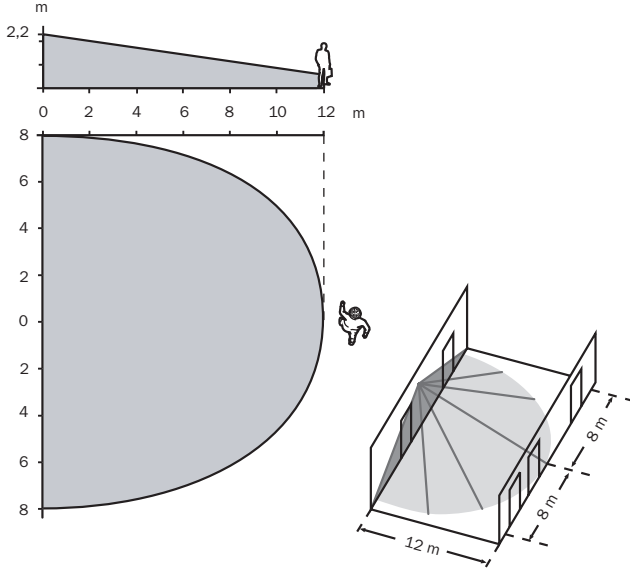
ARGUS 180 / 2.20 m sensor module, flush-mounted

The range is infinitely adjustable:

To the right and left: 2.5 - 8 m

To the front: 2.5 - 12 m

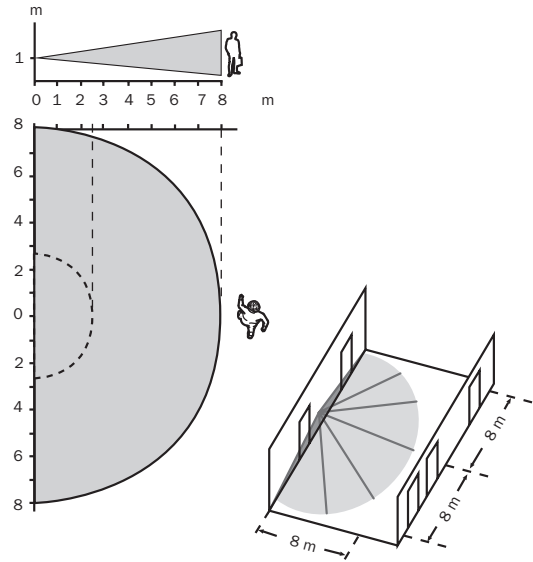
The range specifications are based on average conditions and are therefore only guide values.



ARGUS 180 sensor module, flush-mounted

The range is infinitely adjustable from about 2.5 - 8 m.

The range specifications are based on average conditions and are therefore only guide values.



Blocking off certain areas from view

ARGUS 180 / 2.20 m sensor module, flush-mounted

When there are sources of interference such as lights in the area of detection of the ARGUS that make the connected luminaires switch on when they are not supposed to, then you can mask these areas using the segments supplied.

ARGUS 180, flush-mounted - overview

Function	Inserts	Design cover		
		Indoor movement detection	With integrated switch for ON/Automatic/OFF	
		ARGUS 180 sensor module, flush-mounted	ARGUS 180 sensor module, flush-mounted, with switch	ARGUS 180 / 2.20 m sensor module, flush-mounted
		System M 5755... 5784..	5728... 5785..	5687... 5688..
		System Design 5786..	5795..	
		System Basis 5782..	5783..	
		OCTOCOLOR 5753..	5756..	
		AQUADESIGN 5781..		

Electronic switch (2 conductors)

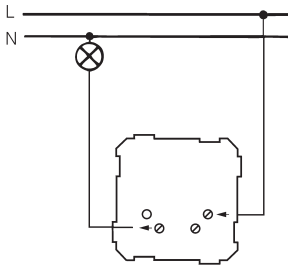
Switching of ohmic loads	Electronic switch insert			
- E.g. incandescent lamps, 230 V halogen lamps - Neutral conductor not required	 576799 (25-300 W)			

Relay switch (3 conductors)

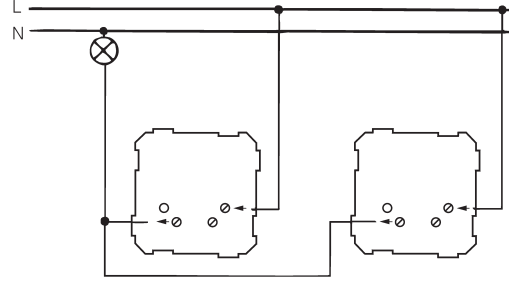
Switching of ohmic, inductive or capacitive loads	Relay switch insert			
- Switching function - E.g. incandescent lamps, energy-saving lamps, LV halogen lamps with conventional transformer, fluorescent lamps - Neutral conductor required	 576897 140 µF max. capacitive load max. 1000 W/VA			

Circuit diagrams for electronic switch insert

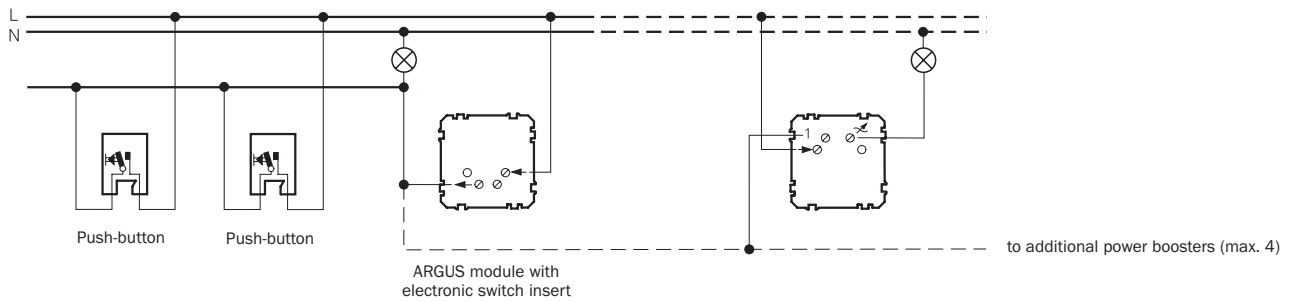
ARGUS module with electronic switch insert, switched individually



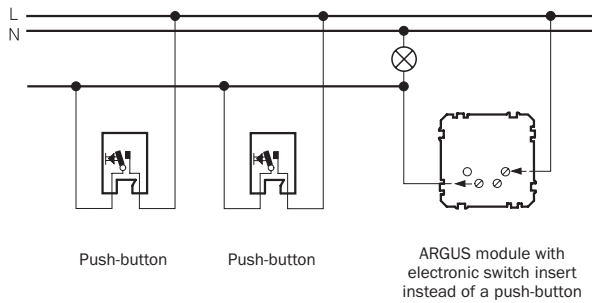
ARGUS module with electronic switch insert, connected in parallel



ARGUS module with electronic switch insert instead of a two-way/intermediate switch circuit, combined with push-buttons and power booster (optional)



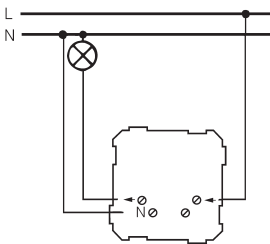
ARGUS module with electronic switch insert instead of a surge relay or staircase lighting timer combined with push-buttons



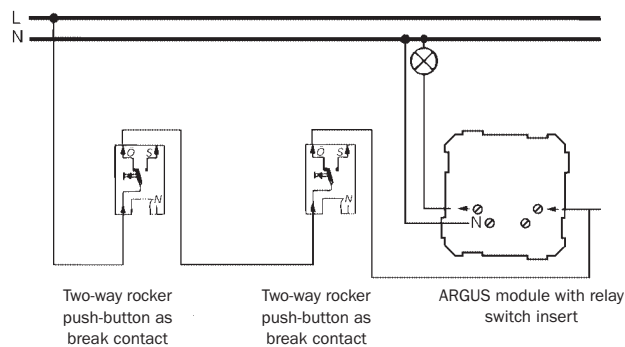
Existing surge relay or staircase lighting function must be bridged. This function is carried out by the ARGUS module with electronic switch insert.
Maximum power 300 W.
Only for ohmic load. Additional lamp groups of up to 600 W each, can be switched with the power booster no. 574099. Maximum two ARGUS modules with electronic switch insert may be connected in parallel.

Circuit diagrams for relay switch insert

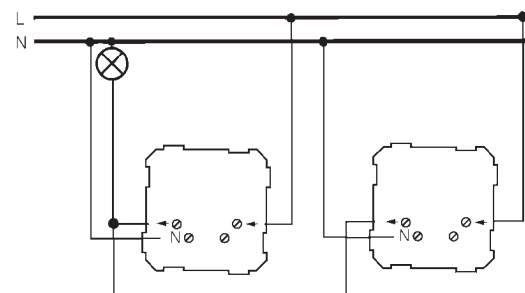
ARGUS module with relay switch insert



ARGUS module with relay switch insert instead of a two-way/intermediate switch circuit, combined with push-buttons



ARGUS module with relay switch insert, in parallel



Maximum four ARGUS modules with relay switch insert can be connected in parallel.