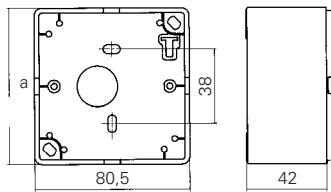


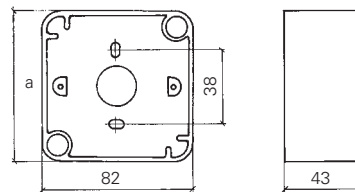
## Surface-mounted housing for M-SMART, ARTEC, M1 and OCTOCOLOR



### Combinations

	1-gang	2-gang	3-gang
<b>M-SMART, ARTEC, M1 OCTOCOLOR</b>			
<b>Art. no.</b>	a=80,5 5121..	a=151,5 5122..	a=222,9 5123..

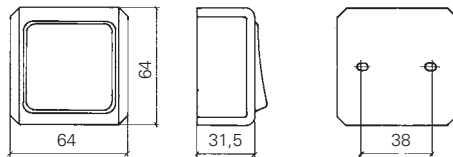
## Surface-mounted housing for ATELIER range



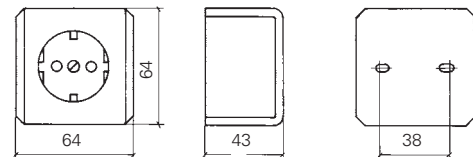
### Combinations

	1-gang	2-gang	3-gang
<b>ATELIER</b>	a=82	a=153,2	a=223,8
<b>Art. no.</b>	5111..	5112..	5113..

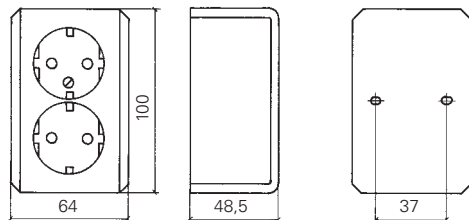
## Surface-mounted ranges



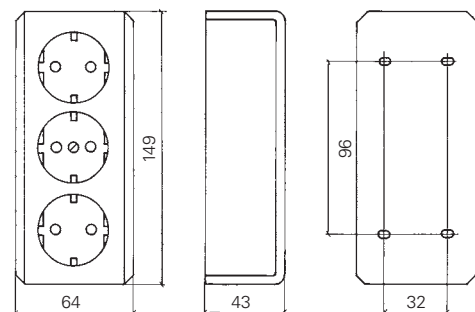
Surface-mounted rocker and push-button switches with flameproof base plate.



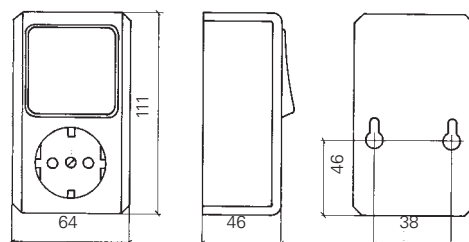
SCHUKO® socket with flameproof base plate.



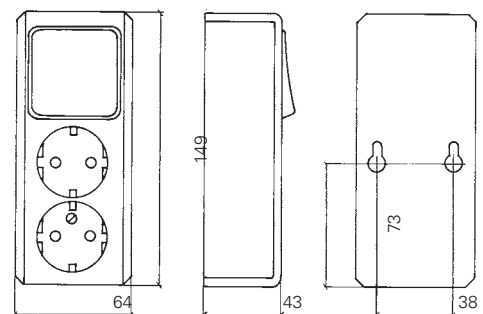
Surface-mounted SCHUKO® 2-gang socket with flameproof base plate.



Surface-mounted SCHUKO® 3-gang socket with flameproof base plate.

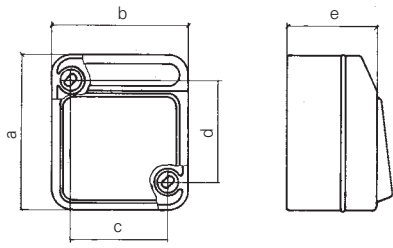


Surface-mounted combination SCHUKO® socket/two-way switch with flameproof base plate.

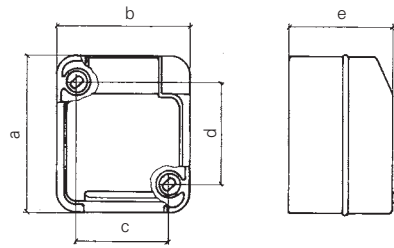


Surface-mounted combination SCHUKO® 2-gang socket/two-way switch with flameproof base plate.

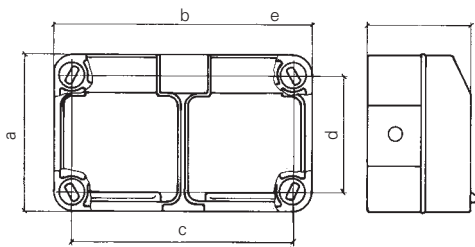
**AQUASTAR, SHOCKPROOF and AGRAR**



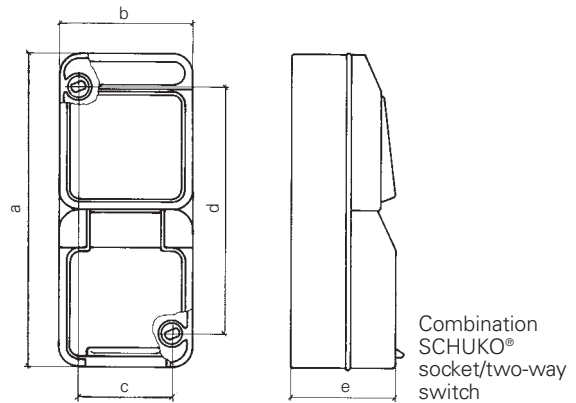
Rocker and push-button switch



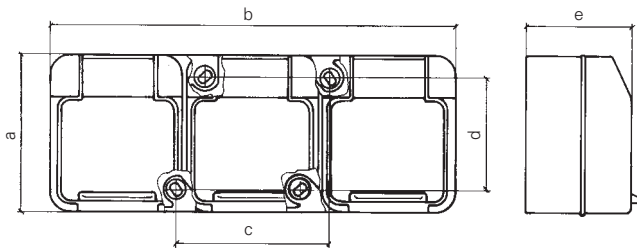
SCHUKO® 1-gang socket



SCHUKO® 2-gang socket



Combination  
SCHUKO®  
socket/two-way  
switch

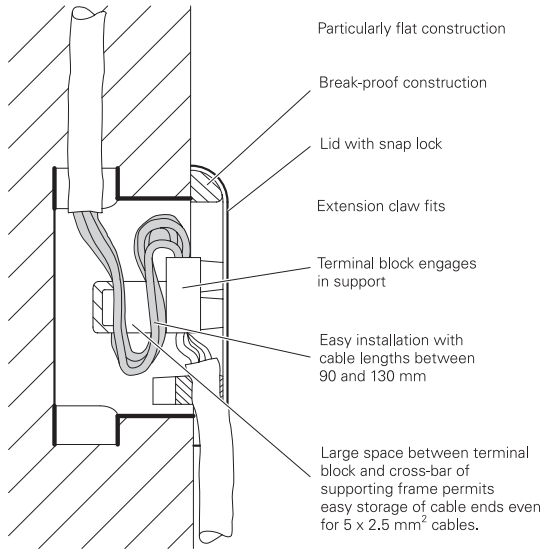


SCHUKO® 3-gang socket

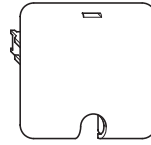
Size in mm	Switch					1-gang socket					2-gang socket					3-gang socket					2-gang combination				
	a	b	c	d	e	a	b	c	d	e	a	b	c	d	e	a	b	c	d	e	a	b	c	d	e
AQUASTAR	83	73	50	53,5	49	83	73	50	53,5	57	83	141	115	60	55	83	220	65	58	57	167	73	50	128,5	57
SHOCK-PROOF blue	86	71	50	58	55	86	71	50	58	55	86	140	115	60	55	86	213	192	58	55	172	71	50	144	55
AGRAR green	86	71	50	58	55	86	71	50	58	55						86	213	192	58	55					

## Cooker boxes

### Flush-mounted cooker connection box, cable section 2.5 mm<sup>2</sup>, Art. no. 5204 27

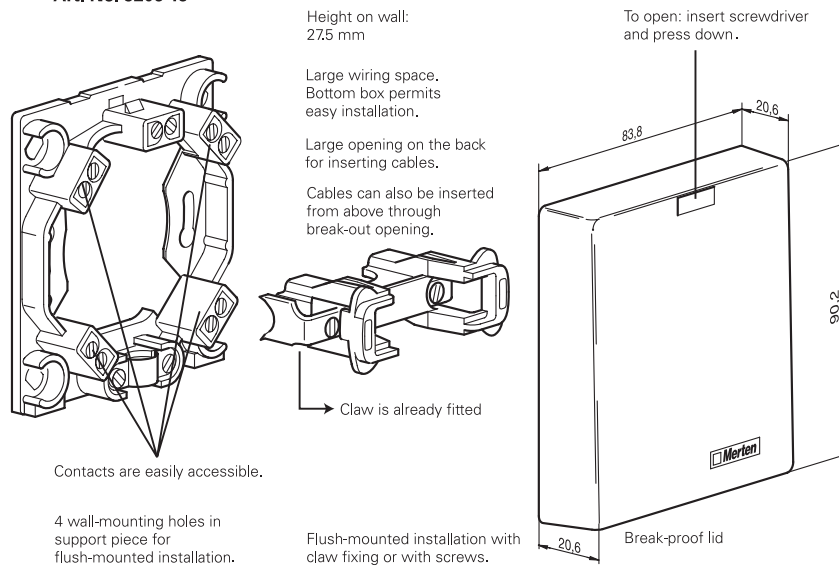


**Dimensions:**  
Base area 86 x 86 mm  
Height 12 mm



Type	5204 27
Type of protection	Covered, comparable to IP 20
Material: - Support - Cover	Thermoplast Thermoplast
Cable section	2,5 mm <sup>2</sup>
Installation	Flush-mounted
Height above wall	12 mm
Fixing	58 mm box = claws and screws 70 mm box = claws with extension claws

### Flush-mounted/surface-mounted cooker connection box Art. No. 5206 19



### Flush-mounted/surface-mounted three-section cooker connection box Art. no. 5210 44

